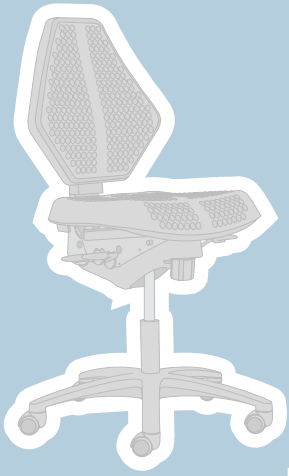
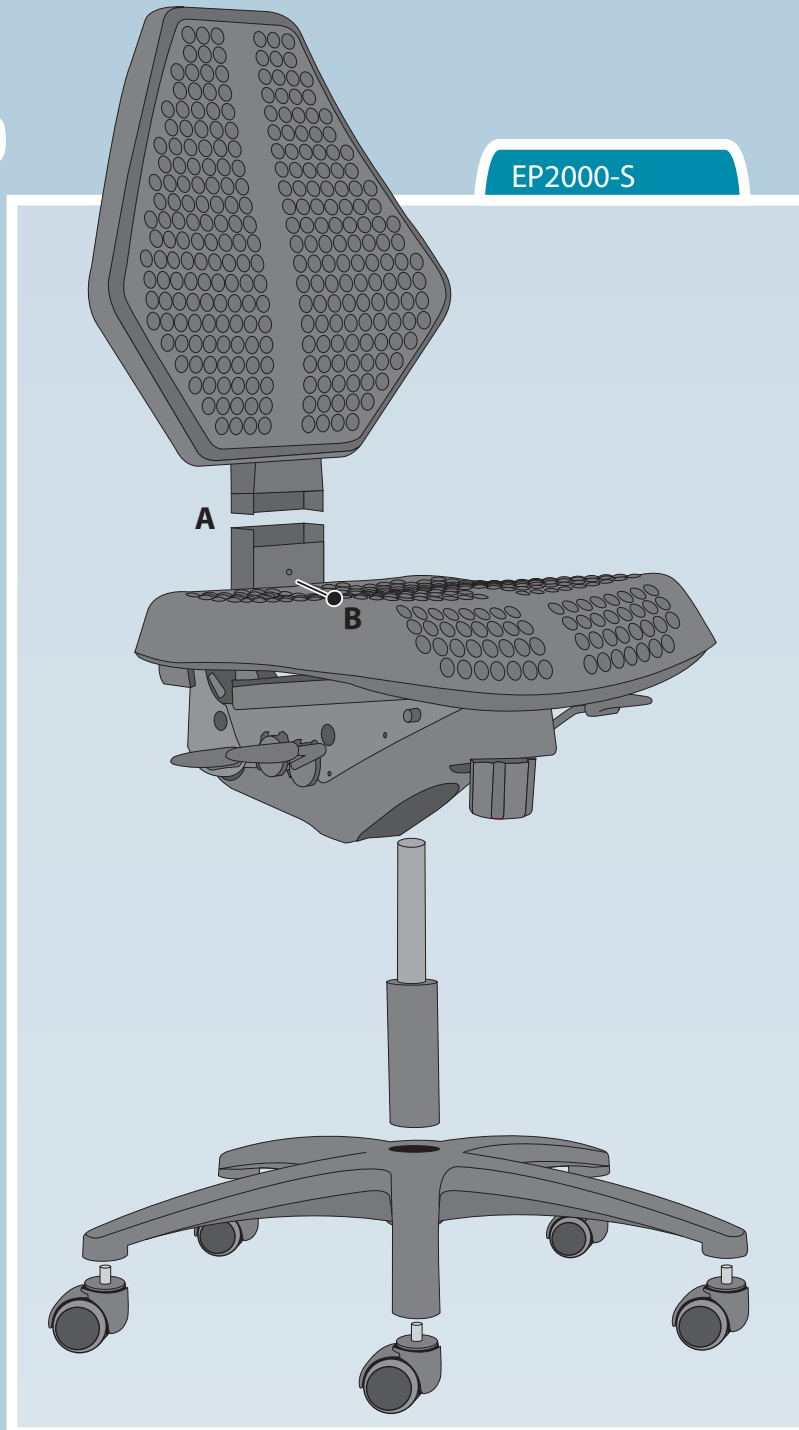


ErgoPerfect®

a quality product from ERGOMAT



EP2000-S



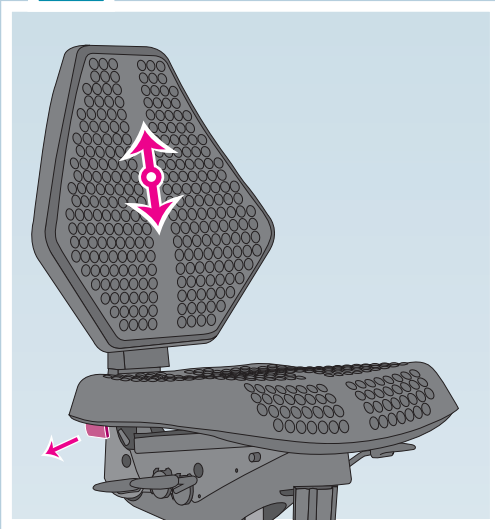
INSTALLATION NOTES - How to install the back rest to the seat

1. Slide the seat all the way forward to have space to work (refer to illustration 4 on next page).
2. Remove the small screw in the plastic bag (or if already assembled please undo).
3. Slightly loosen the trigger to adjusted the back height on the right side (when sitting) of the mechanism (refer to illustration 1 on next page)
4. Then slide the back down and press the plastic cover a bit backward to enable it to go all the way down (refer to illustration A above).
5. Screw in the small screw in the center, can be a little tricky to find the tread (refer to illustration B above).
5. Tighten the trigger and adjust the height to the desired height.

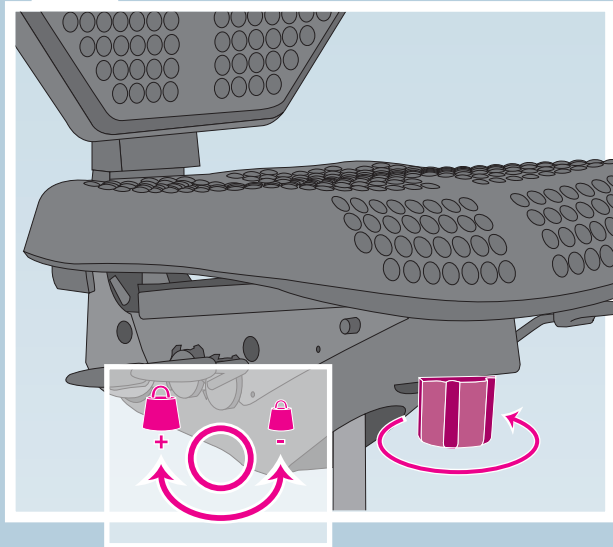
ErgoPerfect®

a quality product from ERGOMAT

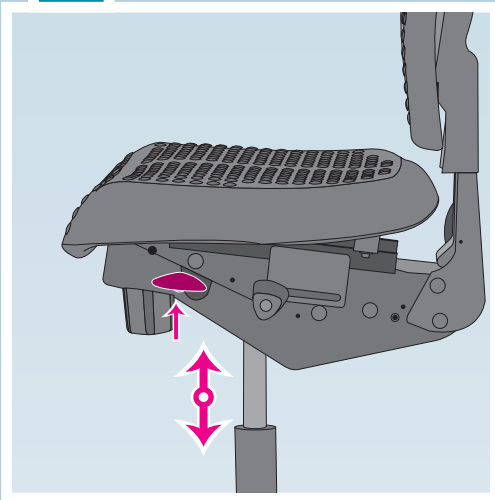
1



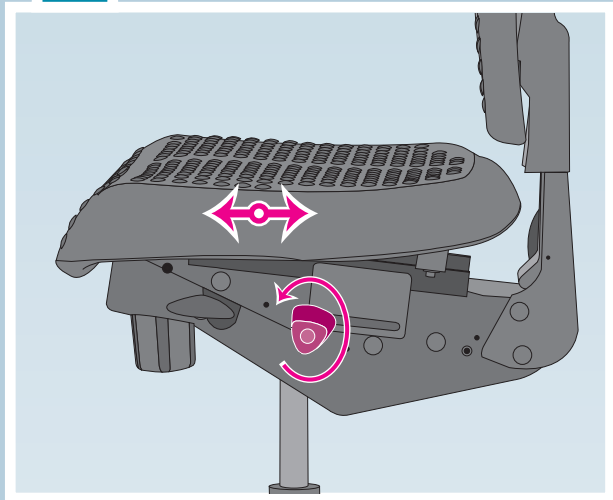
2



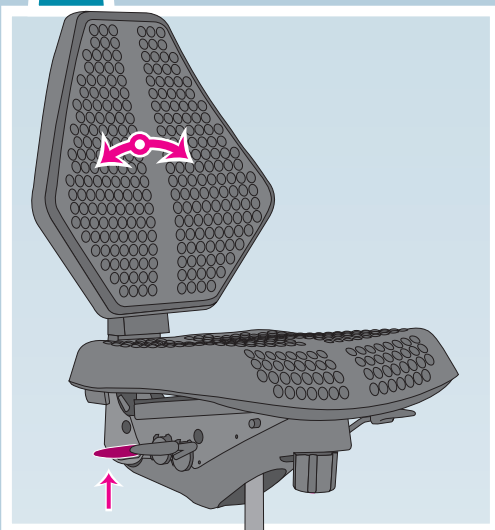
3



4



5



6

