

NS160T/NS300T

Accessories

User Manual/Assembly Instructions



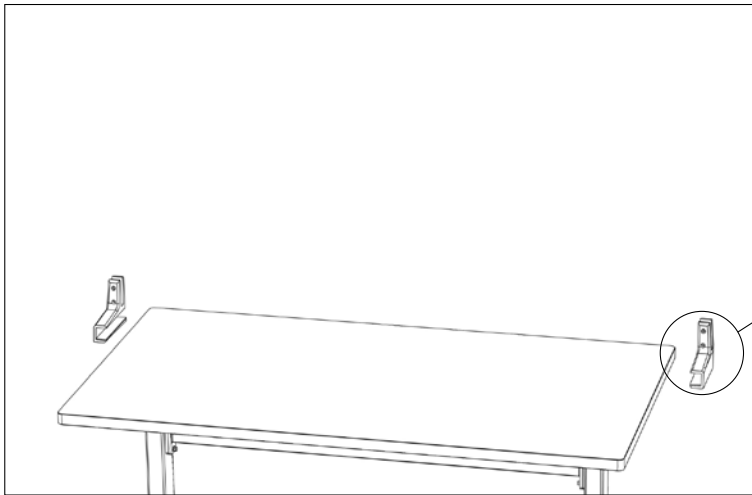
ERGOMAT

Packing list

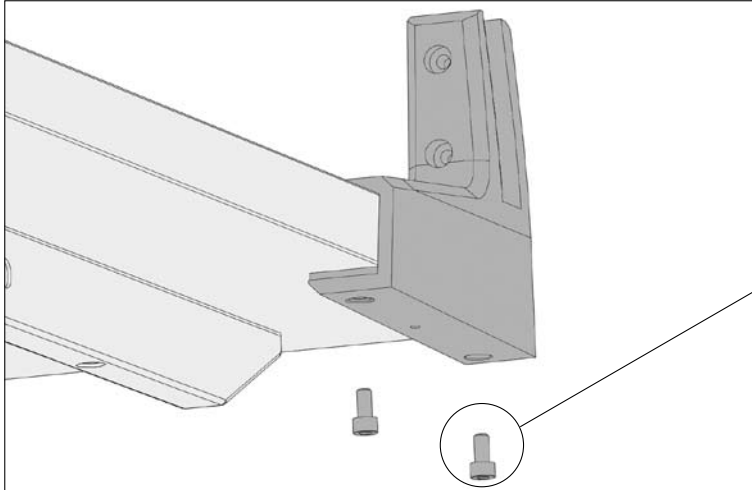
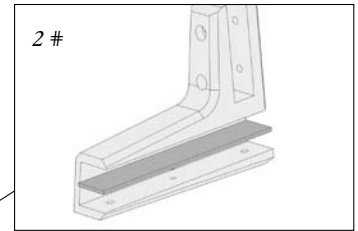
Pack A:
1 # back wall

Pack B:
2 # supports
1 # rail
2 # plate for table top
1 # plate for shelf
2 # squeeze plate for table top
2 # wheel for rail
4 # screw Ø8x40
4 # screw Ø8x20
3 # screw Ø5x10
6 # screw Ø5x12
10 # screw Ø5x40
17 # nut Ø5

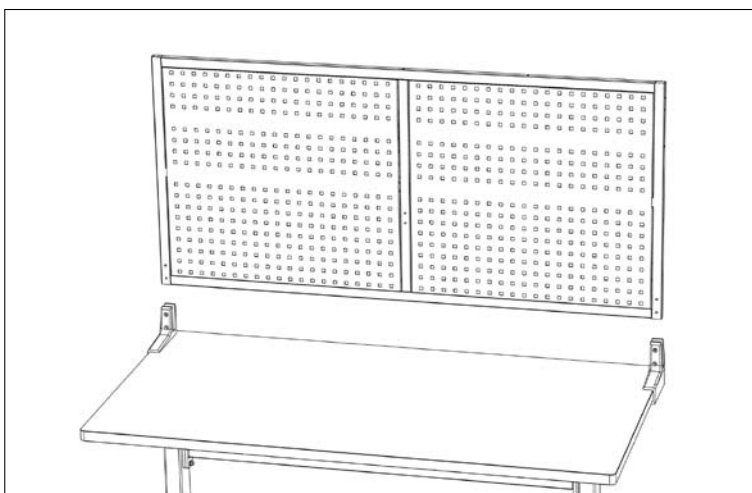
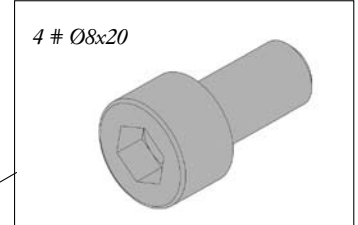
Pack C:
1 # shelf
2 # supports



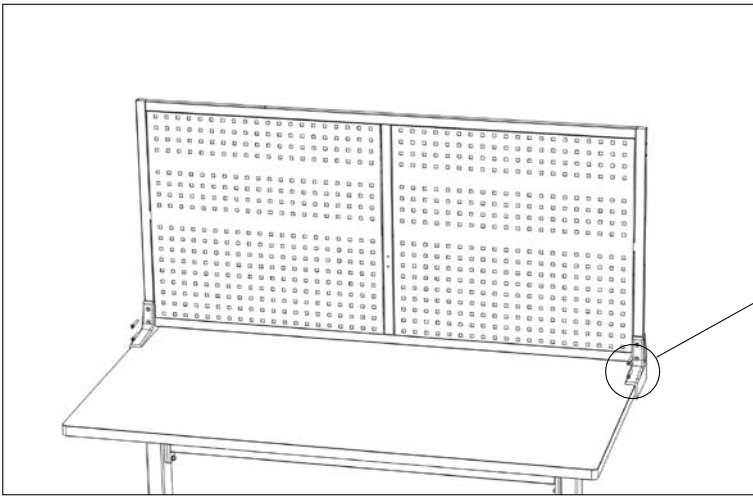
1



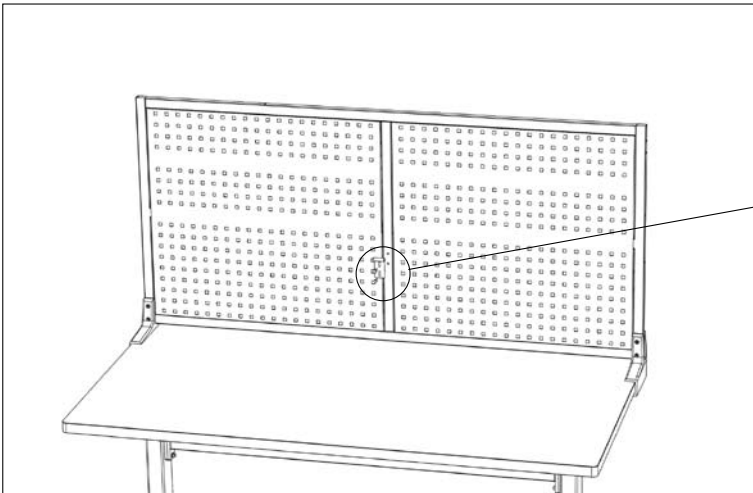
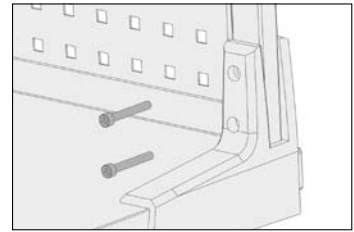
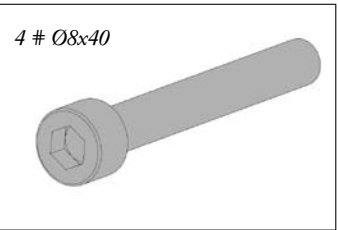
2



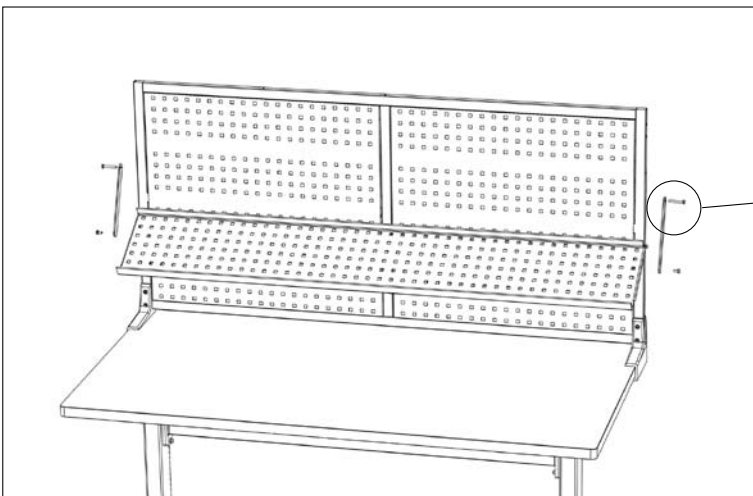
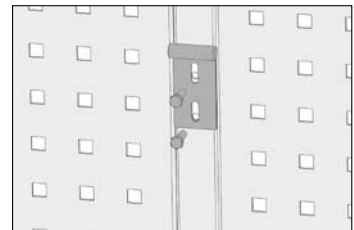
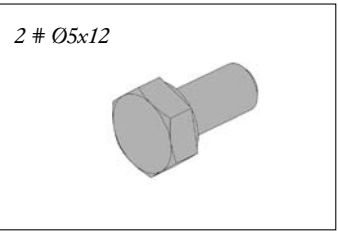
3



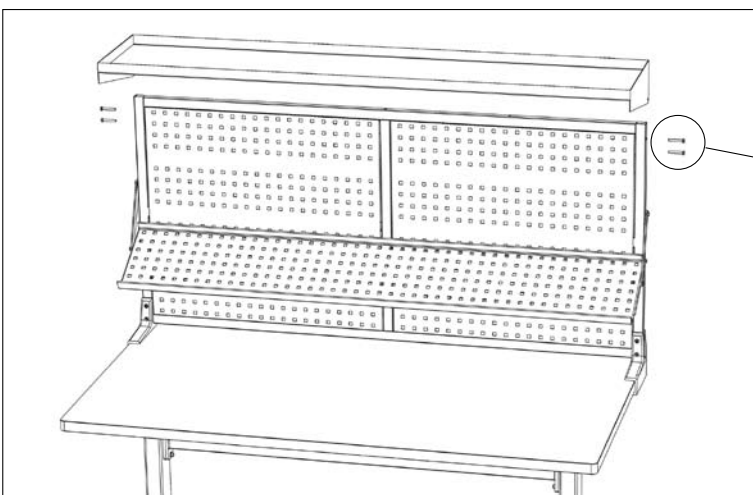
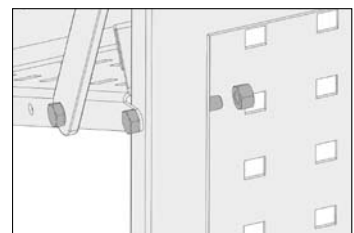
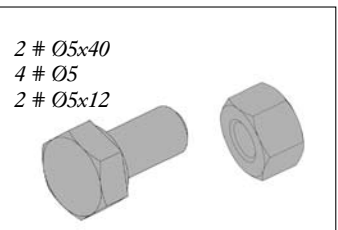
4



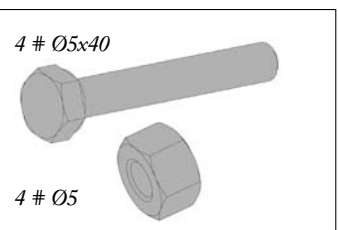
5

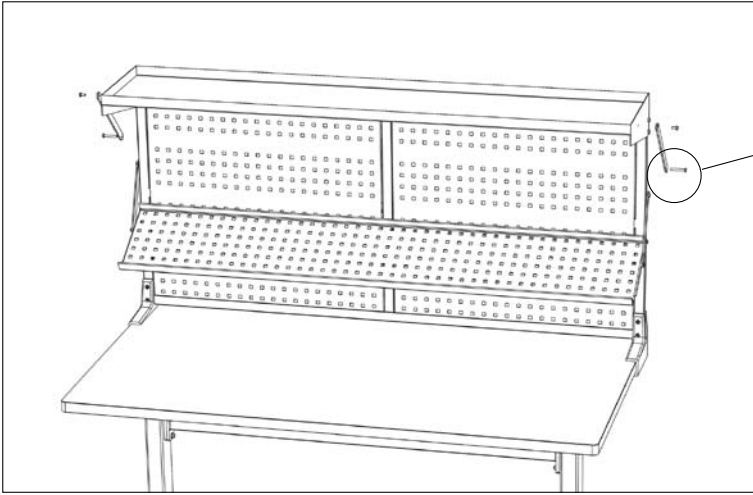


6

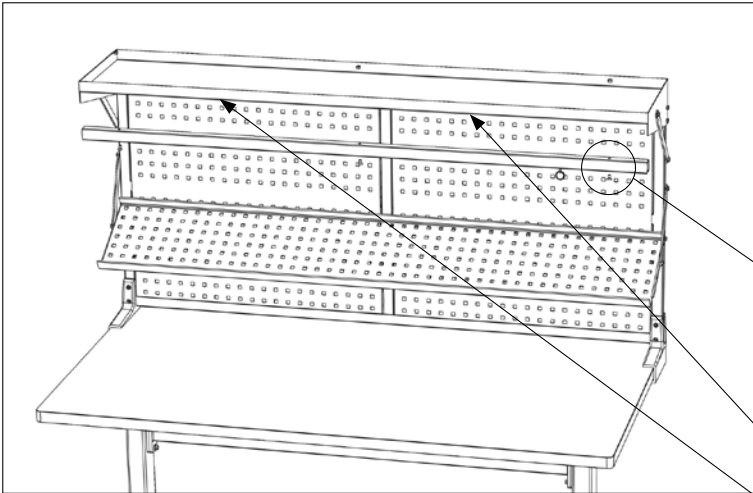
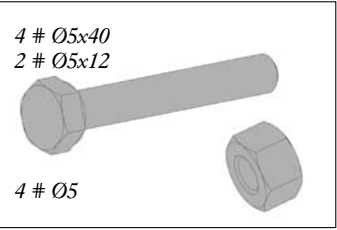


7

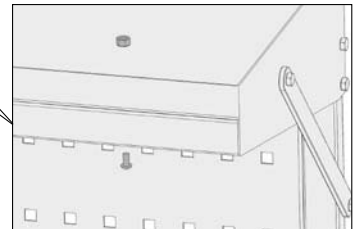
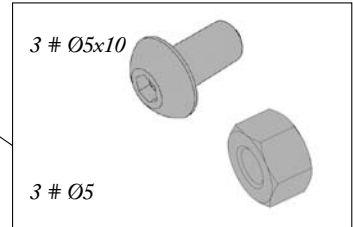
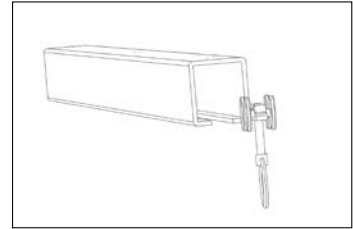




8



9



Ergomat A/S
 Sunekær 13-15
 DK-5471 Sønderlø
 Tel. +45 70 22 18 40
 Fax +45 70 23 18 40
 info@ergomat.dk
 www.ergomat.com

ERGOMAT
 www.ergomat.com